



**TFSE**  
PRODUCTS

*Cafecounters*

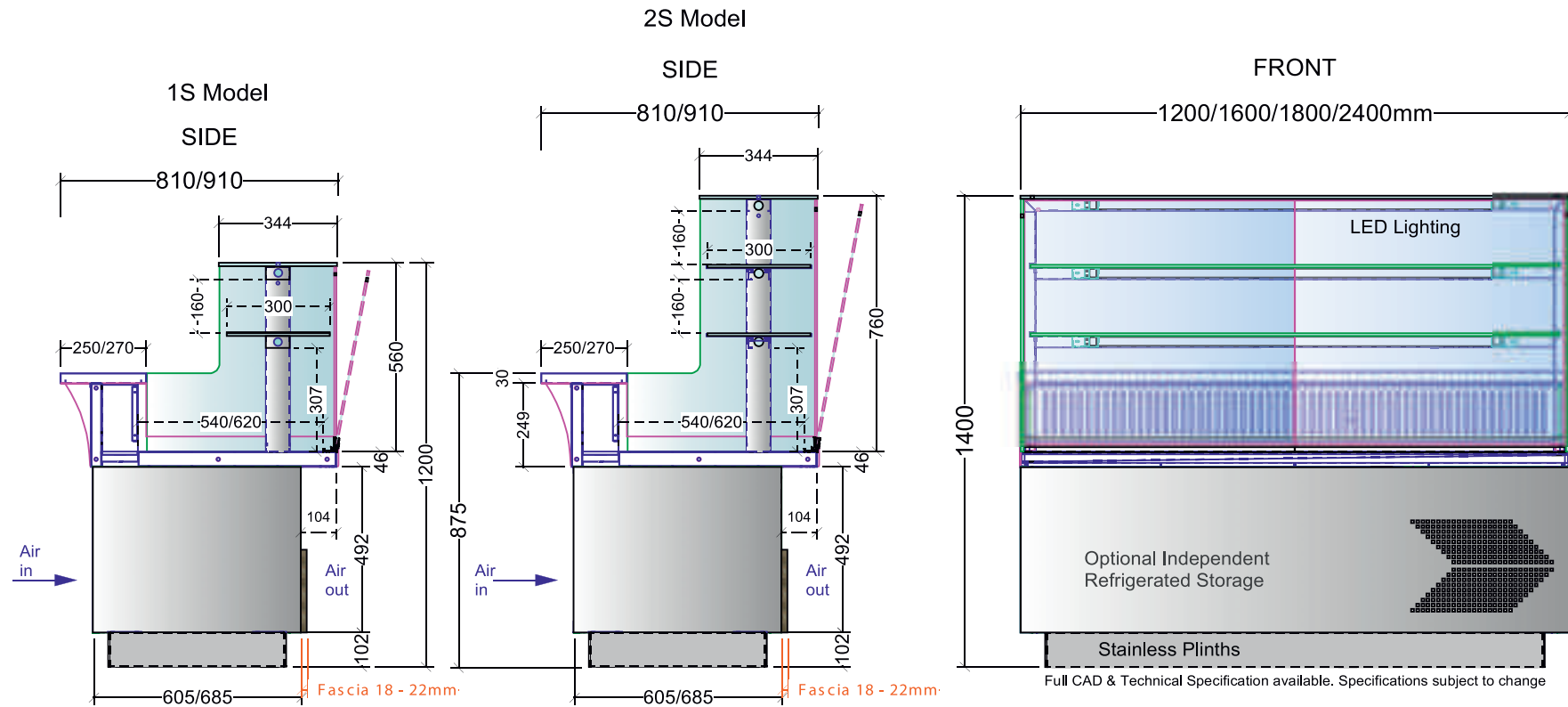




*MODEL CC1800*

Refrigerated Counters designed with functionality  
and manufactured to optimize food display

# Cafecounters



Café Counters



*Refrigerated Storage*

*Debris Tray*



## *Drop-in Deli Counters*

*Model CC1200DIN-2S*

Refrigerated Counters designed to drop-in to your own designed counter. Allowing flexibility for your finished counter solution



LA MIA



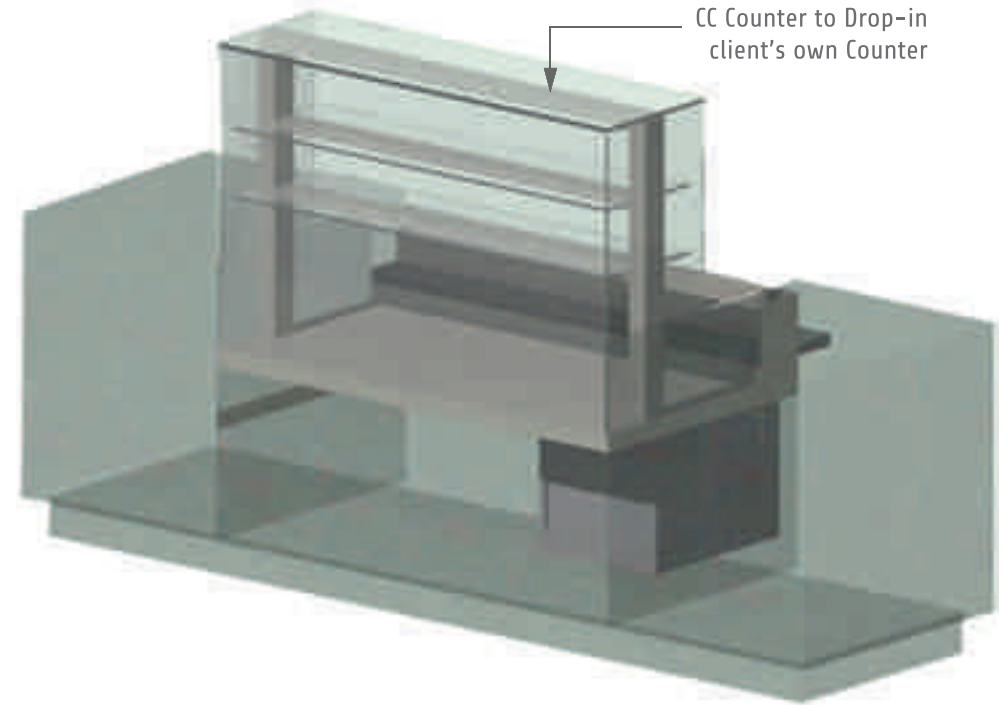
# *Cafecounters*



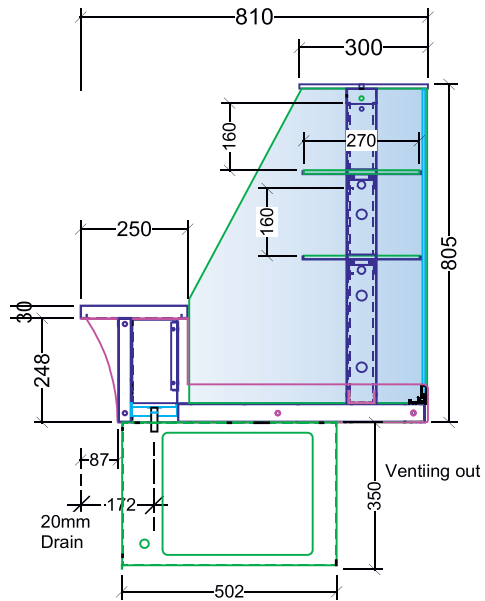
# Build into your own Counter

## MODEL DIMENSIONS (bespoke available)

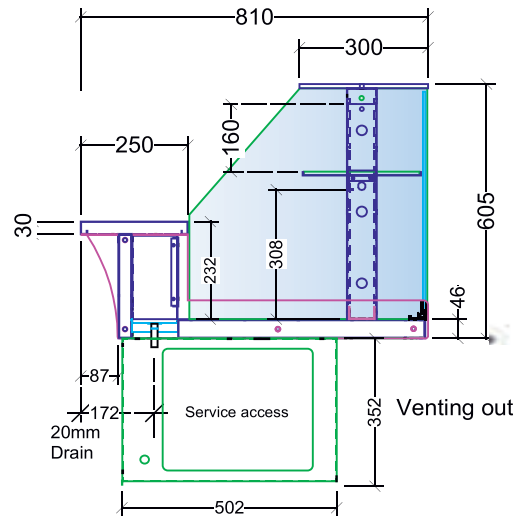
CC800DIN	800w x 810d x 605/805h
CC1000DIN	1000w x 810d x 605/805h
CC1200DIN	1200w x 810d x 605/805h
CC1600DIN	1600w x 810d x 605/805h
CC1800DIN	1800w x 810d x 605/805h
CC2000DIN	2000w x 810d x 605/805h



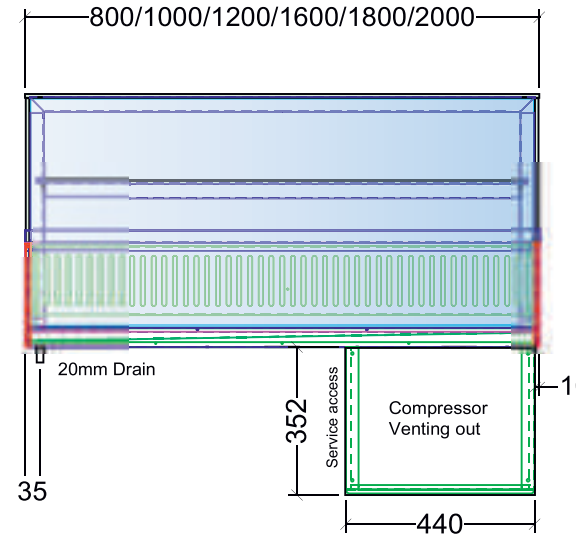
SIDE - Two Shelf



SIDE - One Shelf



FRONT (Customer)



- Compact Size
- LED Lighting
- Power 240v 13amp
- +2/+8C Temperature
- Easy Clean Condensor
- Maximum Product Display
- Bespoke Service Available

Note:  
Suitable Ventilation & Access  
must be provided. If you are  
in doubt contact your supplier

Specification subject to change without prior notice

Template showing Dropin Cutout required available

*Delice Counters*

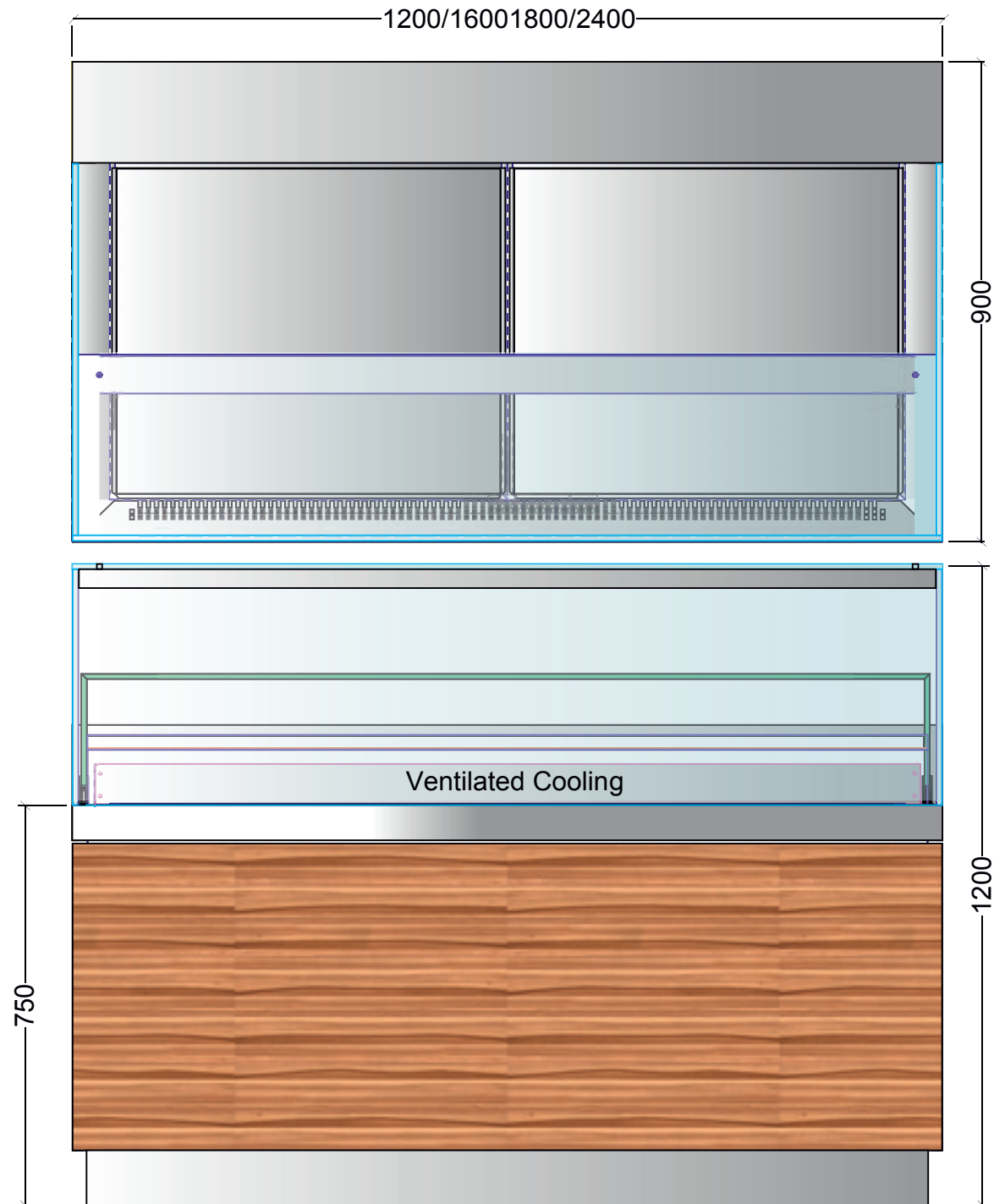
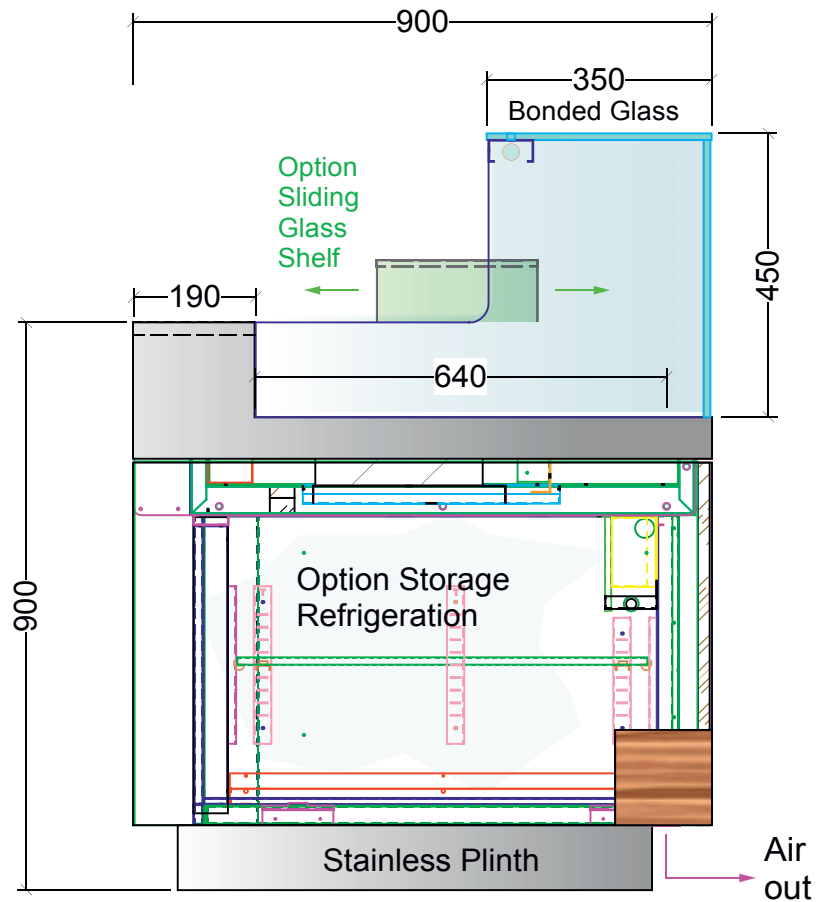


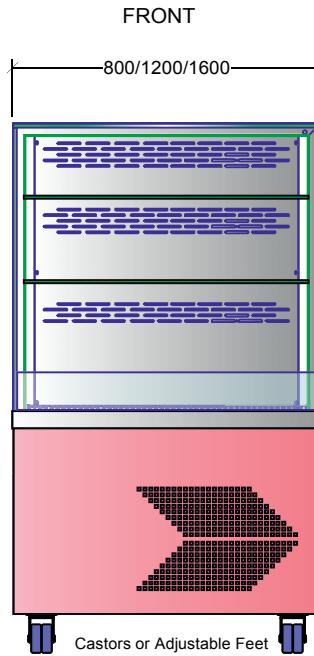
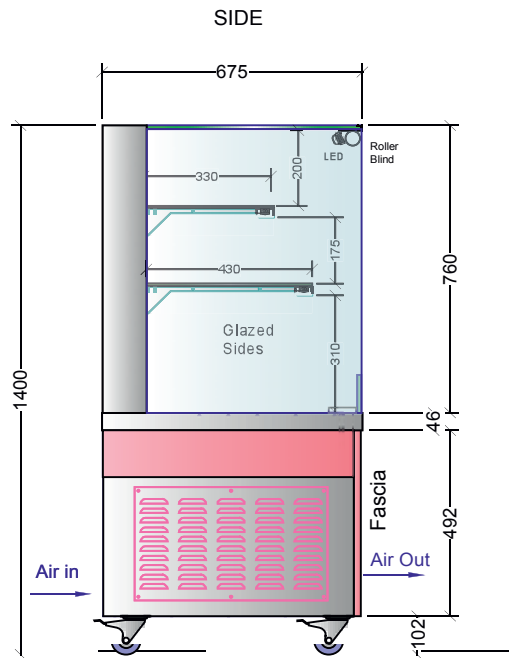
Delice Counters offer you Food Display solutions from which you are able to promote your products with clarity of vision

### Sliding Shelf option

Counter options:  
Refrigerated  
Heated Bain Marie  
Ceran Glass

Storage options:  
Heated  
Refrigerated

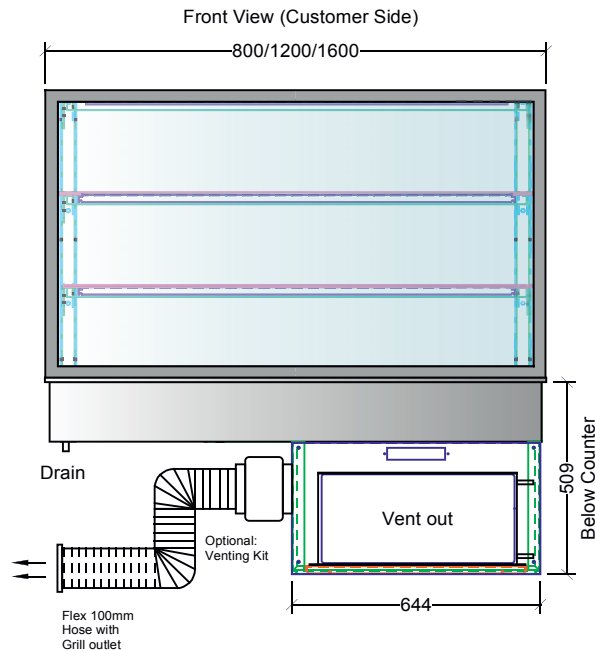
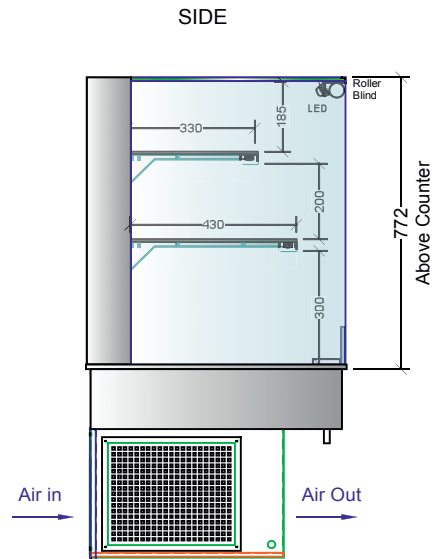




## Mini Multi Serve

Open Fronted Refrigerated Cabinets designed for convenience Grab & Go

Full CAD & Technical Specification available. Specifications subject to change



Model	Dimension	Power
MM800	800w x 675d x 1400h	230v 13A
MM1200	1200w x 675d x 1400h	
MM1600	1600w x 675d x 1400h	

Option: Rear Service doors

Fascia Finish: Powder Coated or Laminate (<http://www.egger.com>)

Model	Dimension	Power
MM800DIN	800w x 675d x 772h	230v 13A
MM1200DIN	1200w x 675d x 772h	
MM1600DIN	1600w x 675d x 772h	

Option: Rear Service doors

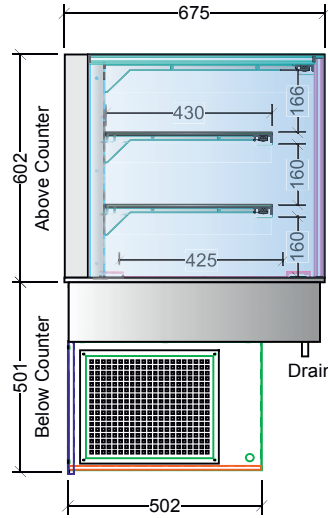


*Drop-in Patisserie Counters*

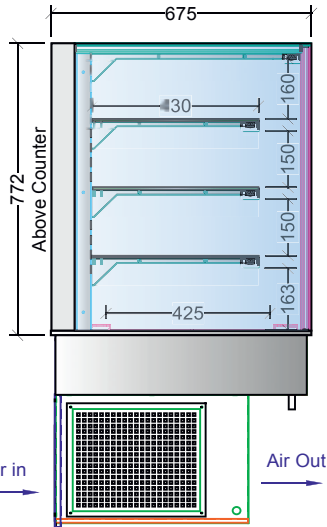


Double Glazed  
Top & Sides  
and Doors

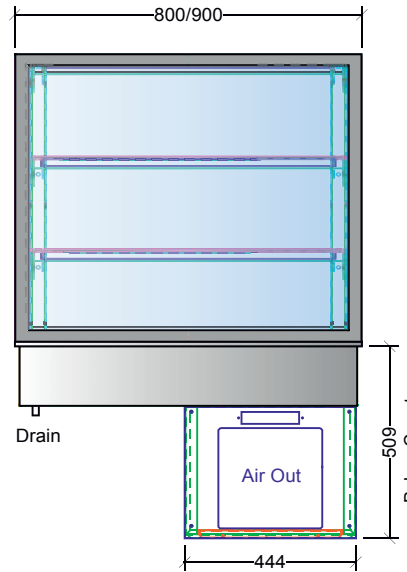
Model 2S  
Side View



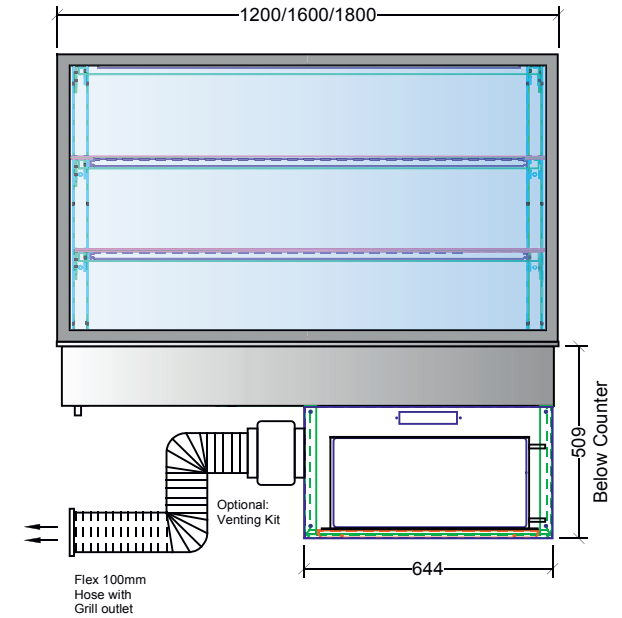
Model 3S  
Side View



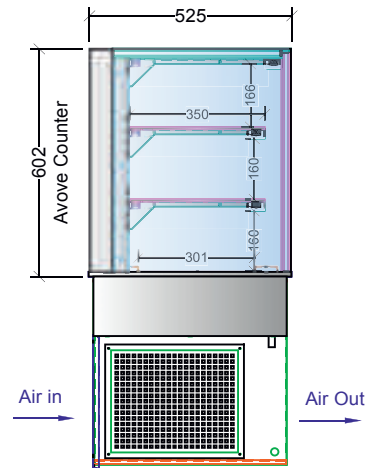
Front View (Customer Side)



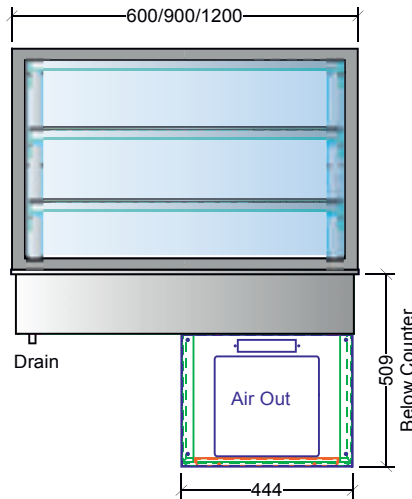
Front View (Customer Side)



Model 2S-525D  
Side View



Front View (Customer Side)



Model	Dimension	Power
PAT800DIN-2S (Two Shelves) PAT800DIN-3S (Three Shelves)	800w x 675d x 602h 800w x 675d x 772h	230v 13A
PAT900DIN-2S (Two Shelves) PAT900DIN-3S (Three Shelves)	900w x 675d x 602h 900w x 675d x 772h	
PAT1200DIN-2S (Two Shelves) PAT1200DIN-3S (Three Shelves)	1200w x 675d x 602h 1200w x 675d x 772h	
PAT1600DIN-2S (Two Shelves) PAT1600DIN-3S (Three Shelves)	1600w x 675d x 602h 1600w x 675d x 772h	
PAT1800DIN-2S (Two Shelves) PAT1800DIN-3S (Three Shelves)	1800w x 675d x 602h 1800w x 675d x 772h	

Slimline Model 525 Deep	Dimension	Power
PAT600DIN-2S-525 (Two Shelves)	600w x 525d x 602h	230v 13A
PAT900DIN-2S-525 (Two Shelves)	900w x 525d x 602h	
PAT1200DIN-2S-525 (Two Shelves)	1200w x 525d x 602h	

Full CAD & Technical Specification available. Specifications subject to change

Tempered Double Glazed panel surround & Sliding Doors  
Internal Shelf Temperature 4C at 28C Ambient. LED lights  
Venting outlet & service access to manufactures guideline







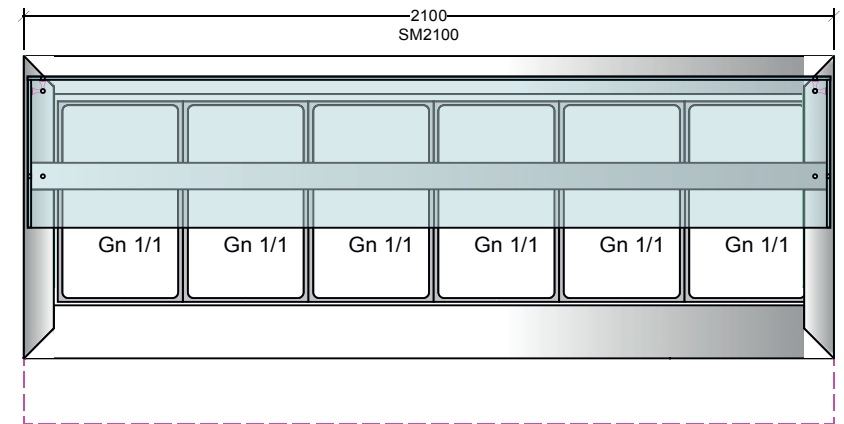
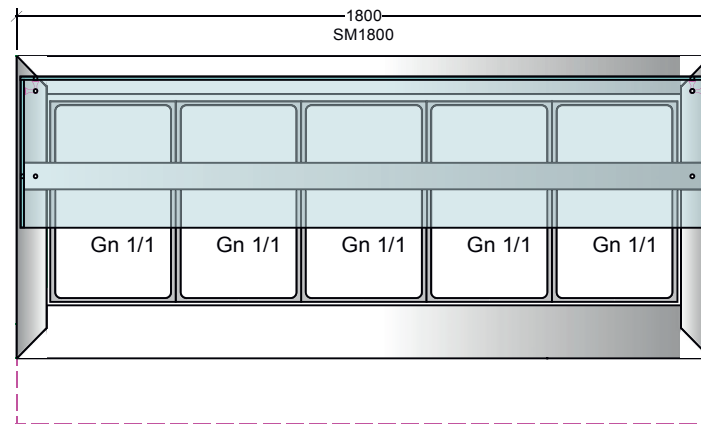
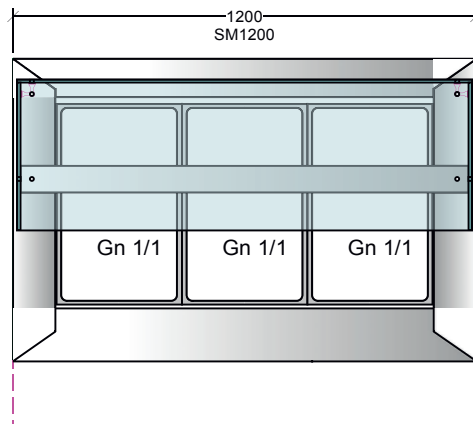
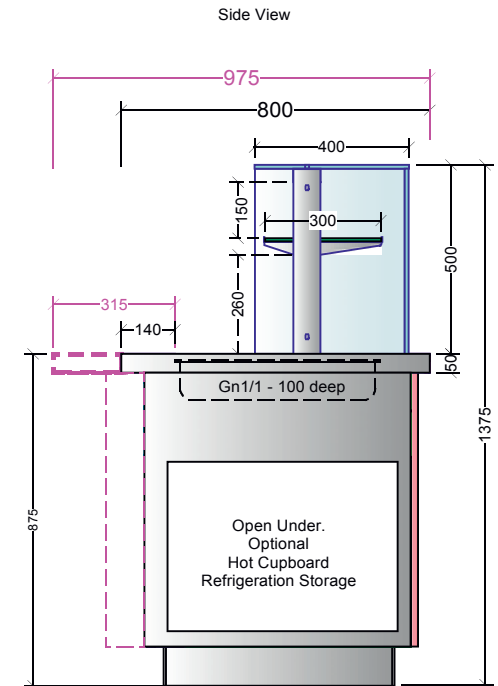
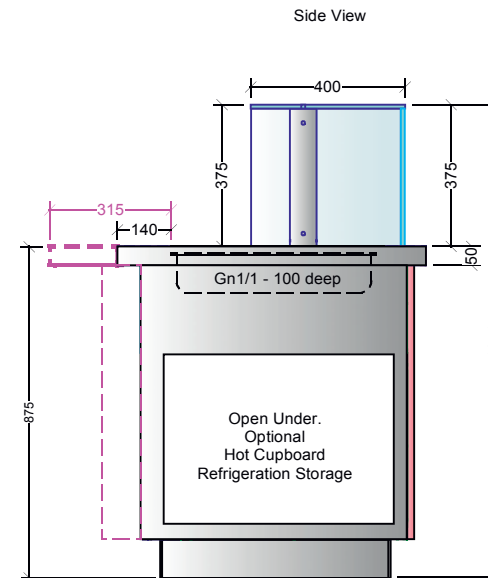
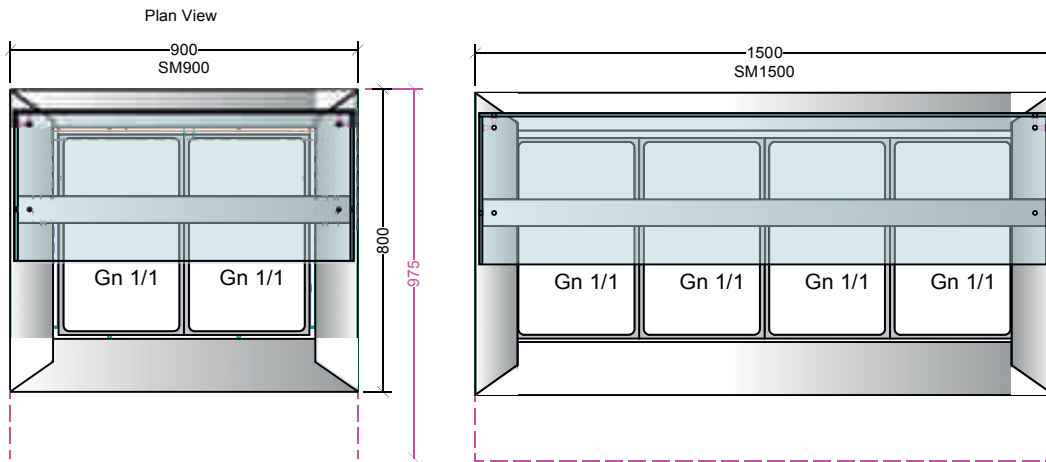


*Servery Counters*

## Café Counter Servery Modules 800mm & 975mm Depths

Toughened Glass - Glass Screen  
 Light Gantries constructed in Stainless Steel  
 LED lights or Linear Quartz Halogen Heat lamps  
 Ambient straight & corner modules together with tray rails  
 Dry and Wet Well Bain Maries or Ceran Glass heated option  
 Finishes are Stainless with Powder coated Laminate Fascia  
 Static or Ventilated Well Refrigerated Gastronorm configuration  
 Undersection to be open, optional Refrigeration/Heated Storage

Please enquire for further specifications





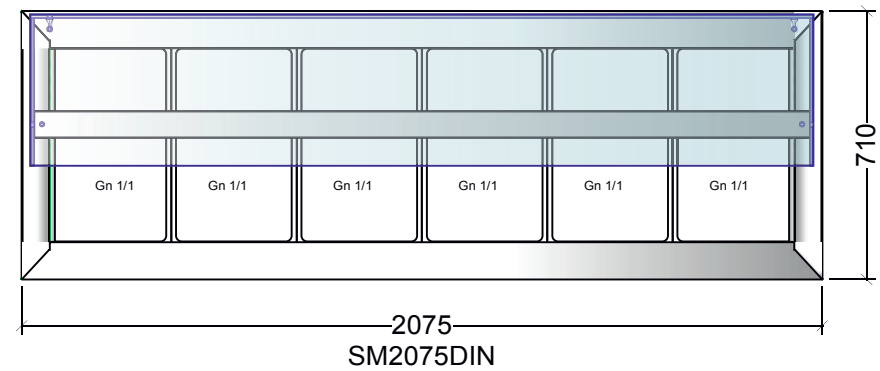
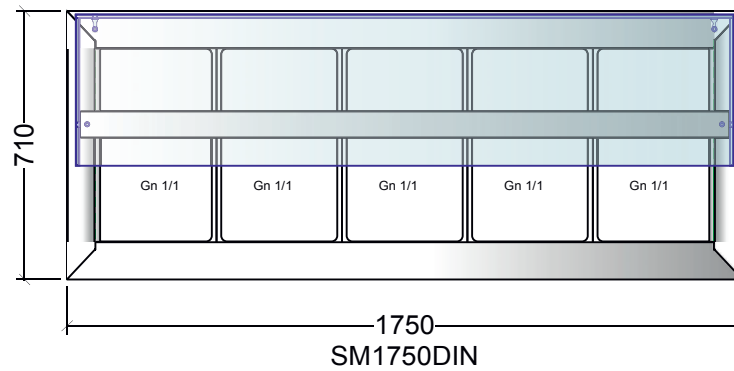
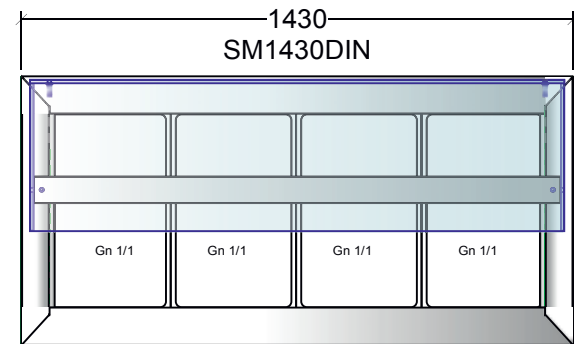
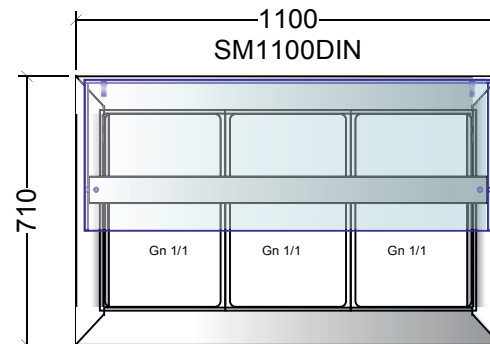
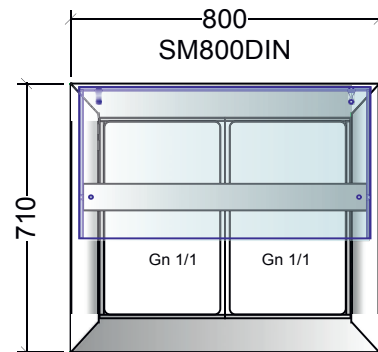
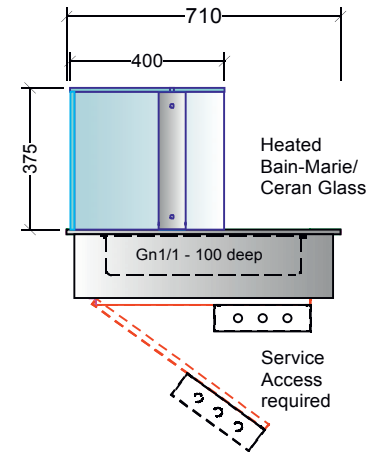
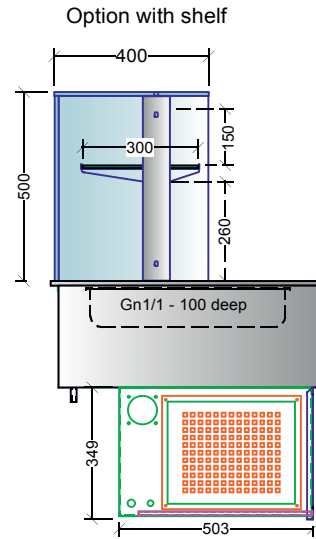
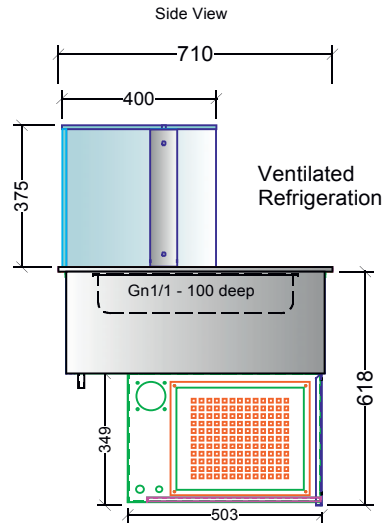
Drop-in Servery Modules

Refrigerated (ventilated)  
Heated Bain Marie  
Heated Ceran Glass

### *Drop-in Servery Modules*

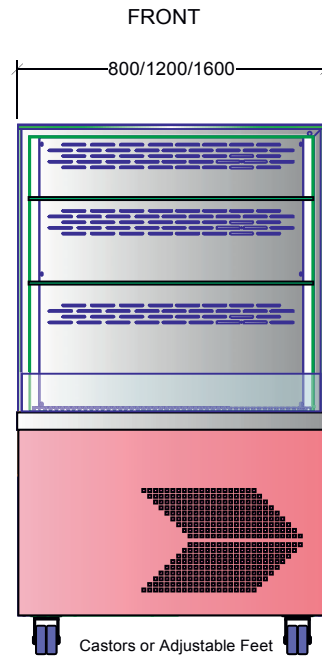
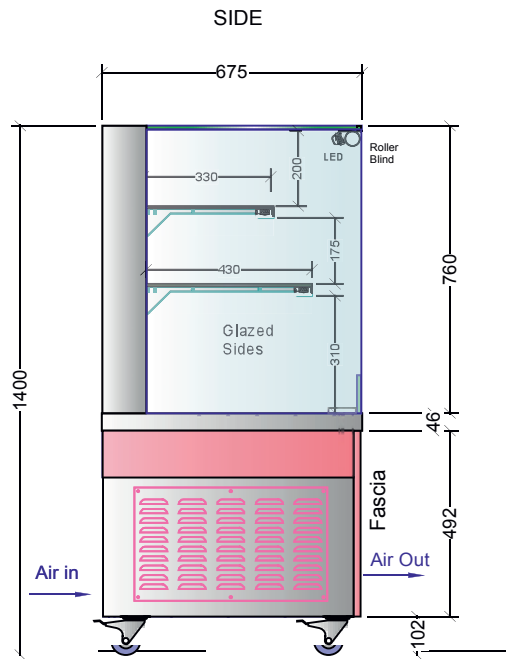
Allow you to create food service solutions which you can incorporate quickly within your own counter

Toughened Glass Screens - Light Gantries constructed in Stainless Steel - LED lights or Linear Quartz Halogen Heat Lamps - Dry and Wet Well Bain Maries or Ceran Glass heated options





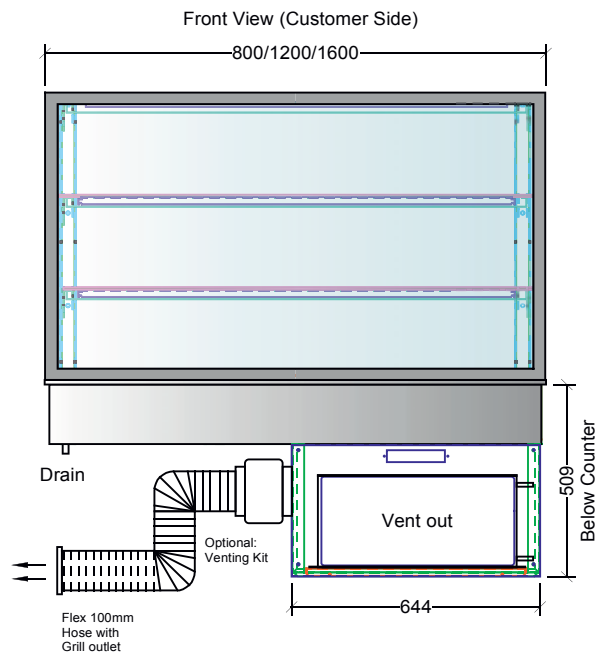
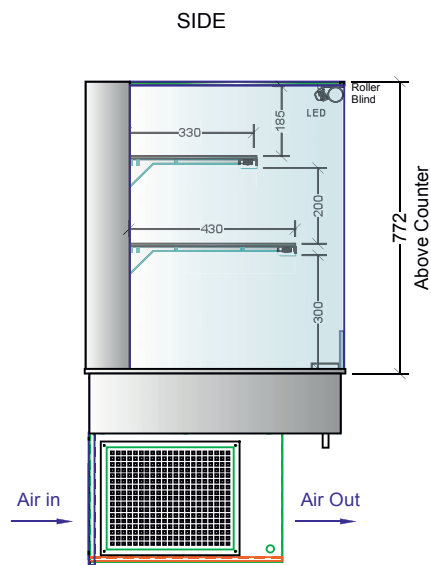
*Mini Multi Serve*



## Mini Multi Serve

Open Fronted Refrigerated Cabinets designed for convenience  
Grab & Go

Full CAD & Technical Specification available. Specifications subject to change



Model	Dimension	Power
MM800	800w x 675d x 1400h	230v 13A
MM1200	1200w x 675d x 1400h	
MM1600	1600w x 675d x 1400h	

Option: Rear Service doors

Fascia Finish: Powder Coated or Laminate (<http://www.egger.com>)

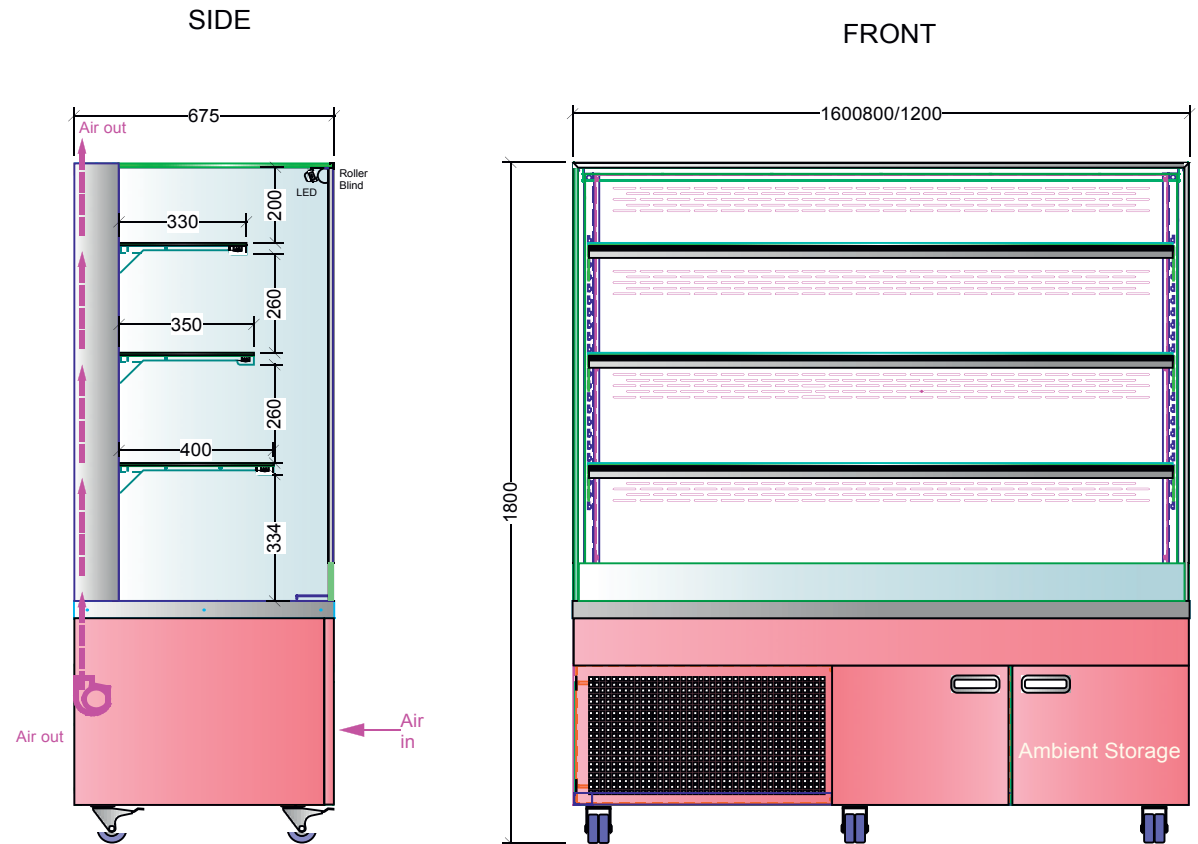
Model	Dimension	Power
MM800DIN	800w x 675d x 772h	230v 13A
MM1200DIN	1200w x 675d x 772h	
MM1600DIN	1600w x 675d x 772h	

Option: Rear Service doors

# Multi Serve

Open Fronted Refrigerated Cabinets designed for convenience – Grab & Go

Ambient Storage below and colour matched to your requirement



Full CAD & Technical Specification available. Specifications subject to change



# *Cafecounters*

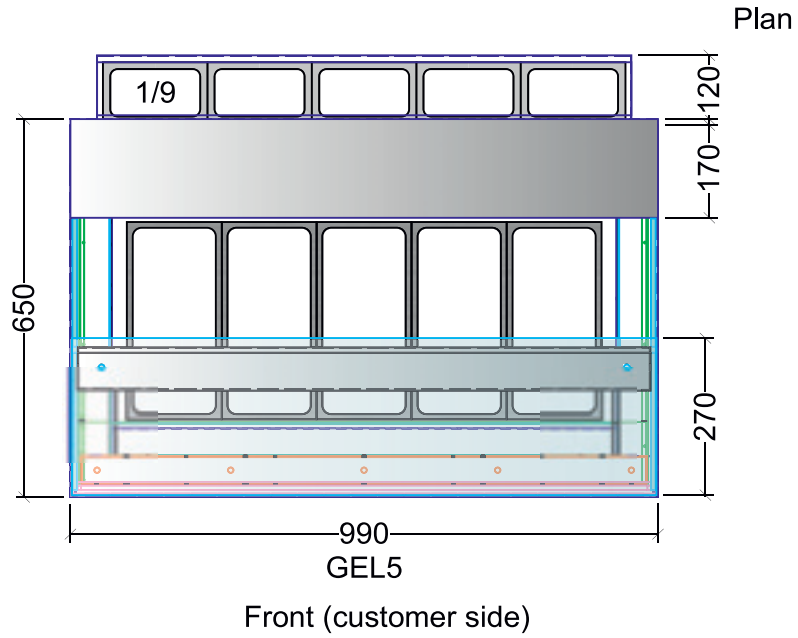






# Gelato

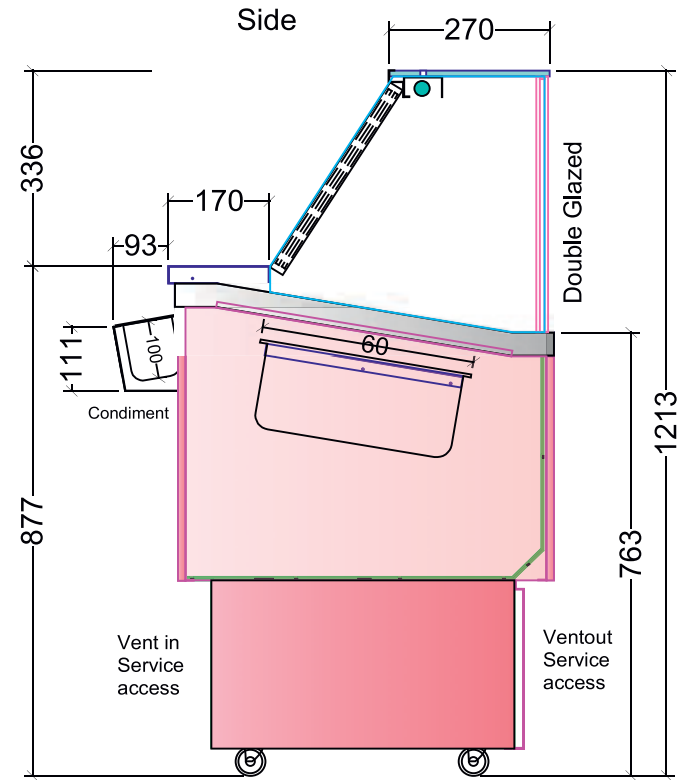
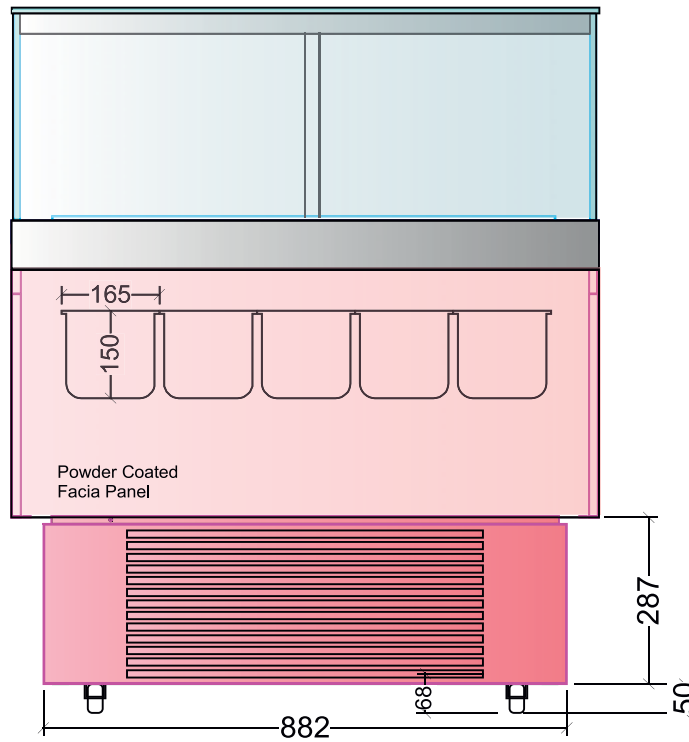
Gelato Cabinets  
 Ventilated Cooling  
 With Double Glazed front glass  
 Perfect size for the Café & Restaurants



Front (customer side)

## GEL 5 & GEL 6

Ventilated Ice Cream Display  
 Temperature 16-18C  
 6 Napoli Containers 6.3 litre  
 Optional Condiment rear rack





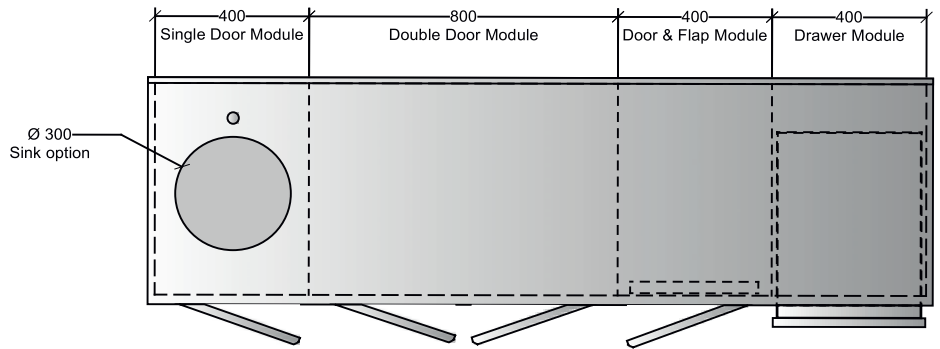
*Rear Counter Modules*



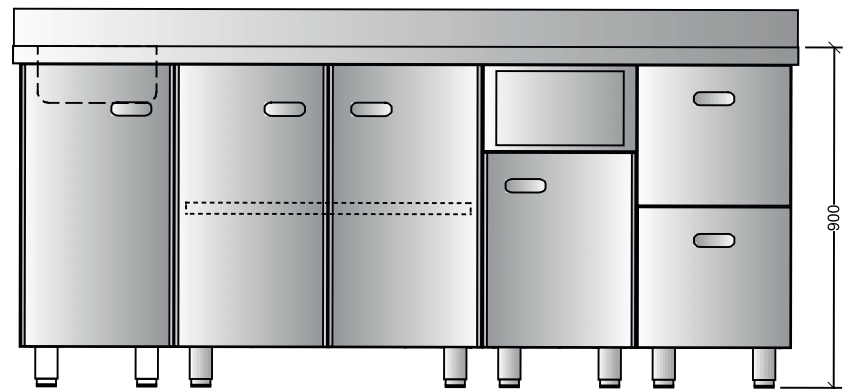
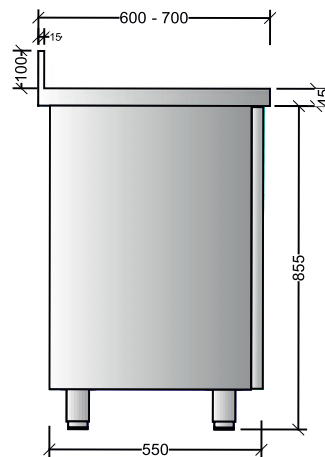
*Welded sinks*

### Rear Bar Modules

Stainless Steel Cabinets of Distinction. Heavy Duty Door & Drawers (Self Closing)  
 Adjustable shelving, Welded Sink bowls, Construction 304 stainless steel  
 Counter combinations, flexibility to provide solutions aesthetically with functionality



*Condiment unit with  
 Flap & Bin Space*





# TFSE

PRODUCTS

TFSE Products Ltd  
Unit 4 Hanworth Trading Estate  
Hampton Road West  
Hanworth  
Middlesex  
TW13 6DH  
United Kingdom

Tel: 0800 689 5517  
Email: [mail@tfse.uk](mailto:mail@tfse.uk)

[www.cafecounters.co.uk](http://www.cafecounters.co.uk)

