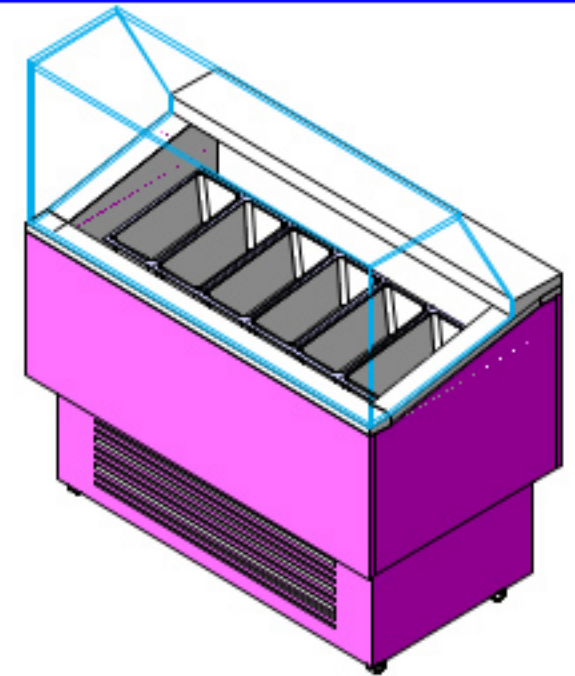


GEL5 & GEL6

Ice Cream Display Counter
LED Lighting
Rear Sliding Doors
Integral Compressor
Ventilated Refrigeration
Double Glazed Front Glass
-12/-16C Storage Temperature
Fascia Panels Coloured to suit



Suited for 5 & 6 Napoli
Containers 360 x 165

